

Refillable filter cartridge

In an environmentally-friendly approach, we have developed a refillable filter cartridge. This innovation facilitates refill replacement and makes recycling easier.



In the past, the metal part surrounding the filter cartridge could not be separated, making it very difficult to recycle these elements. Today, all you have to do is replace the filter cartridge when it becomes too clogged to maintain the efficiency of your equipment.

ESDEP0294 and ESDEP0295

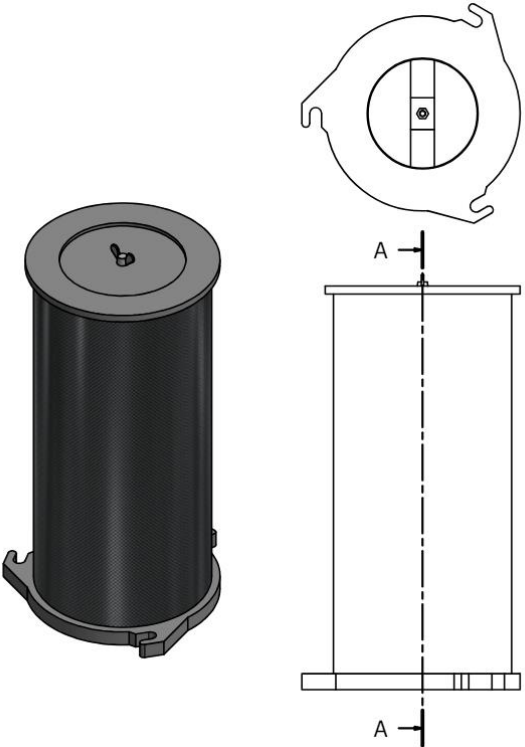


- Rugged
- Compact
- Economical
- Easy integration
- Fast delivery

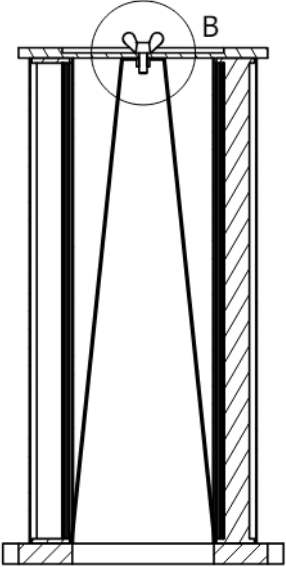


Replace easily

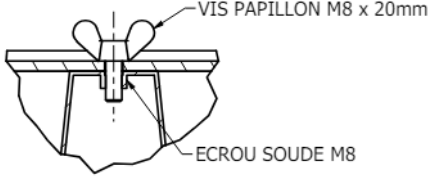
Your filter



COUPE A-A
Echelle : 1 : 4



DETAIL B
Echelle : 1 : 2



Compatible only with VF filter vaccums

Technical Data

Filter cartridge refill

	Unit	Values
Composition		100% polyester
Construction		Thermally bonded bicomponent spunbond + PTFE membrane
Permeability	m3/m2/h at 200 Pa ±30% tolerance	150
Weight	g/m ² ±12 tolerance	240
Thickness	Mm ± 0,10 tolerance	0,57
Elongation (machine direction)	%	> 30
Elongation (transverse direction)	%	> 30
Traction resistance (machine direction)	N/5cm	> 850
Traction resistance (transverse direction)	N/5cm	> 650
Tear resistance (machine direction)	N	> 95
Tear resistance (transverse direction)	N	> 95
Thermal resistance (machine direction)	%	< 5,5
Thermal resistance (transverse direction)	%	< 2,5
Temperature resistance	°C	120
Water resistance		GOOD
Acid resistance		VERY GOOD
Alkaline resistance		VERY GOOD
Unclogging		EXCELLENT
Media testing	BIA EN 1822 :2009	M H13

The difference between filter cartridges and refillable filter cartridges



ESDEP0067

Filter cartridge cannot be separated from filter



ESDEP0294 & ESDEP0295

The filter and cartridge are independent of each other, so the filter can be replaced without affecting the rest.