

IONIZING DEDUSTING SYSTEMS ECOVAC CUPS

General

The ECOVAC CUP provides non-contact antistatic dust removal from pots. This custom-made system can be adapted to all types of FS machines (2, 4, 6, 8, 10, 12 pots, etc.). The following actions are inseparable for dust removal:

- Mechanical force to separate particles from the substrate,
- Air ionization to eliminate electrostatic attraction,
- Suction to evacuate the particles.

The ECOVAC CUP system

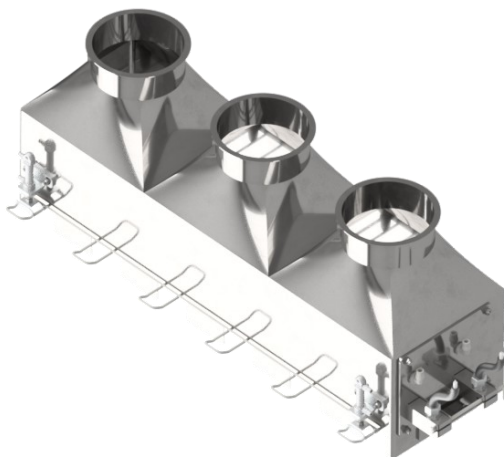
The mechanical action of air blowing lifts the particles from the pot, revealing their electrostatic charge. Position and settings guarantee optimum dust removal quality.

Air ionization eliminates electrostatic bonding. This is achieved by the CORONA effect. Each ionizing tip connected to high voltage generates an electric field charged with positive and negative ions (electrons). When the material to be treated is under the influence of this electric field, electrons (negative ions) are transferred until the charges on the surface of the material are neutralized. In ionizing dust collectors, the ionizing pins are connected to the high-voltage source by a capacitive device, limiting the current to a few micro-amperes. This means that there is no danger to the operator if he or she comes into contact with the live tips.

The large suction diameter is calculated in correlation with the specifics of the pots to be dedusted.

The ionizing dust collector meets the most stringent specifications and is designed with a Ra 0.8. It incorporates the concepts of good hygiene and safety practice in the food and pharmaceutical industries.

The ionizing dust collector has been designed with the environmental constraints of the food and pharmaceutical industries in mind. No tools are required to dismantle the unit for daily cleaning operations. What's more, assemblies are made without any screws or removable components, so there's no risk of losing any spare parts that could contaminate the products to be treated.



- High performance
 - Robust
- Recognized reliability
- Standard version in stainless steel
 - Making to measure
- Secure ionisation points (shockless)



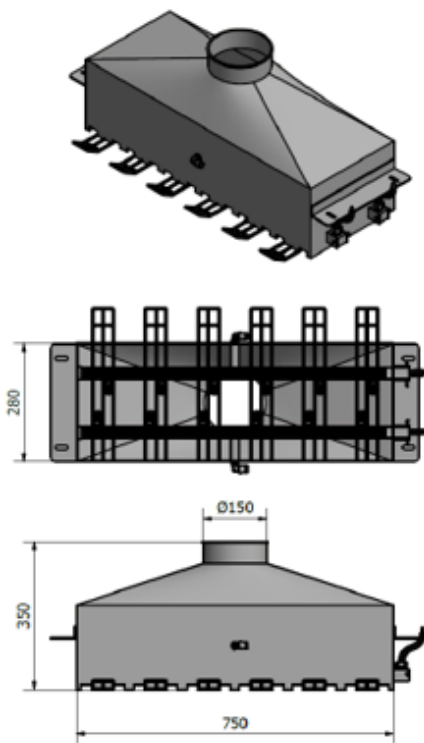
ANTISTATIC

IONIZING DEDUSTING SYSTEMS

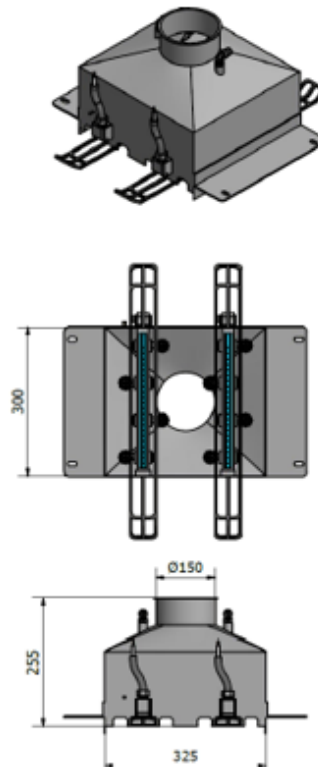
ECO VAC CUPS

TECHNICAL DATA

Width	To measure
Materials	Suction box: in brushed 304L stainless steel (Ra 0.8) for the food, pharmaceutical and cosmetics industries.
Suction connection	80 to 200 mm diameter sleeves, depending on the length of the active part.
Antistatic bars	1 or 2 removable capacitive electrodes type ECA 88 B
Blowing nozzles	Round, flat, rotary or tube nozzles according to specifications. (Possibility of sequential blowing)
Generator connection cable	Set supplied with two 3-meter high-voltage shielded cables. Other lengths on request. High-voltage connection via terminal block.
Vacuum cleaner	To be determined according to required characteristics.
Recommended generator	SC04-B SIB



**Simultaneous dedusting of
2 plates of 6 pots**



**Simultaneous dedusting of
2 plates of 2 pots**

This equipment must not be used in an inflammable or explosive environment!

The bar and the power unit are to be earthed well so that the appliance operates properly