

## *Ionizing Air Nozzle, working distance up to 250 mm*

# TIS N

### Ionizing Air Nozzle TIS N

It is specially designed to eliminate static electric charges on small parts in many types of industry (plastics, printing, serigraphy, etc.). When this appliance is connected to a SC04 B power unit, it can bring a solution to many problems (gluing, dust removal, cleaning). This new generation of nozzle is really remarkable by its capacitive procedure which both protects the user from any bad handling and ensures better yield.

#### Design

3 ECA type ionization points are immersed in a Teflon block implanted in an anodized aluminum profile. A quick-union of 8 mm diameter ensures the pneumatic supply of the system.

At a fixed station, an adjustable square allows a simple and effective installation (TIS N). For manual use, the ionizing unit is fitted with an ergonomic and very light handle (TISP N).



- High performance
- Robust
- Recognized reliability
- Standard version under aluminum profile (optionally in stainless steel)
- Making to measure and quick delivery
- Secure ionization points (shockless)

# Ionizing Air Nozzle, working distance up to 250 mm

## TIS N

### TECHNICAL DATA

Dimensions: 110 x 70 x 58 mm

Weight: 0.57 kg.

Characteristics:

- 3 ECA type points
- Delivered with standard 3 meter cable (No. 7 + connector)
- Pneumatic connection ( $\varnothing$  8 mm)
- Working width = 50 mm
- Working distance up to 250 mm

Recommended power unit:

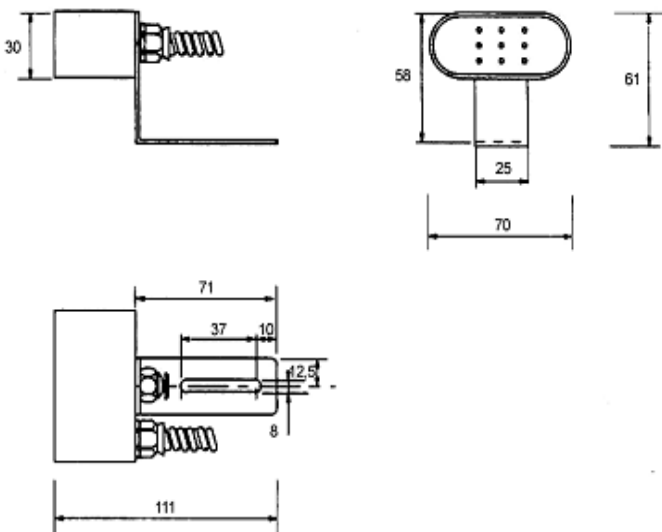
SC 02 B or SC 04 B

Air consumption:

0.5 Bars/25 l/min - 1.0 Bars/50 l/min - 1.5 Bars/65 l/min - 2.0 Bars/75 l/min

3.0 Bars/85 l/min - 4.0 Bars/100 l/min - 5.0 Bars/105 l/min - 6.0 Bars/130 l/min




Do not go beyond 10 meters of no. 7 high voltage shielded cable per power unit





**This equipment must not be used in an inflammable or explosive environment!**

-----  
The nozzle is to be earthed well so that the appliance operates properly  
-----

It is essential to use air without any trace of oil or dampness. 40 $\mu$ m filtering

 ELCOWA s.a. 27 Rue de Ruelisheim F-68200 MULHOUSE  
 +33 (0) 389 573 573  
 @sales@elcowa.com

 +33 (0) 389 571 718  
 www.elcowa.com

