

Dust collector accessory

Pneumatic Pedal

Dust collector accessory, Pneumatic Pedal

Pedal with 5/2 valve, G1/4" connection

This monostable pedal, with a protective hood, a 5/2 valve and a G1/4 connection, can be associated with different ELCOWA ionization head blowers depending on the application. It allows you to activate the flow of air manually and to work with your hands free.



- Robust
- High performance
- Recognized reliability



Dust collector accessory

Pneumatic Pedal

TECHNICAL DATA

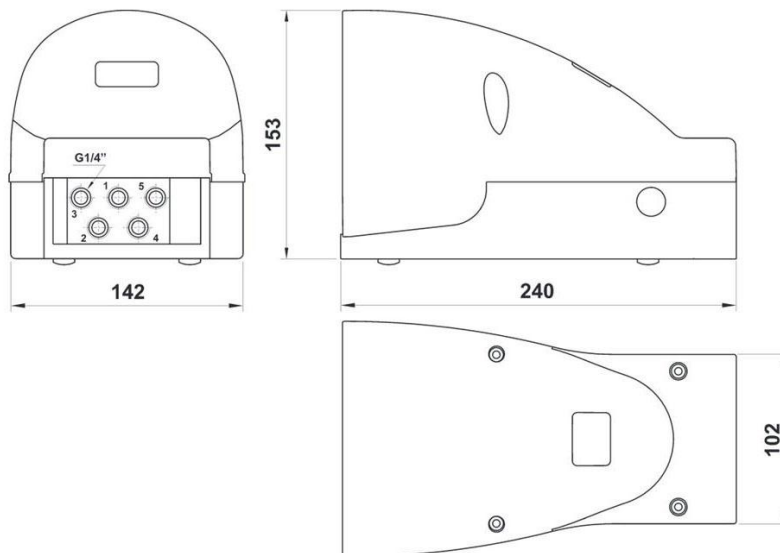
Dimensions: 142 x 153 x 240 mm

Characteristics:

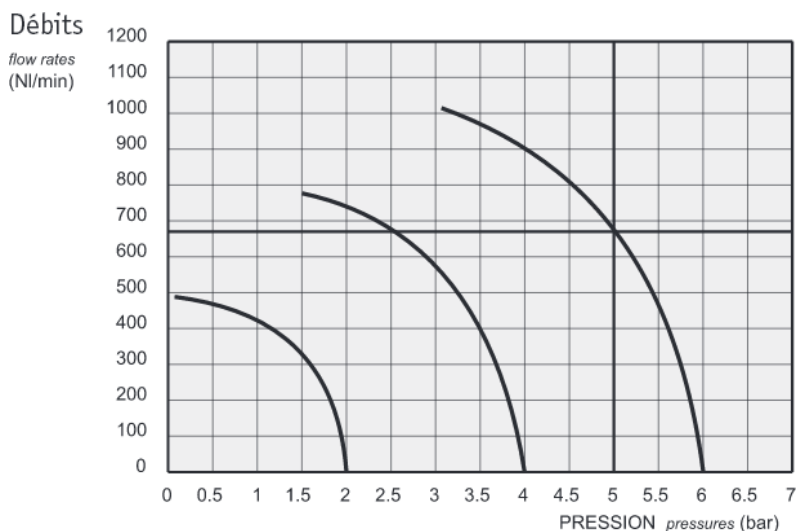
Number of cycles: 10,000,000
 Resistance of contacts: 25 mW
 Electrical protection: IP 54
 Contacts: 1 NO + 1 NC dry contacts
 Mono-stable 5/2 control valve
 Nominal diameter: 7.5 mm
 G1/4" connections
 Working temperature: +60°C
 Working pressure: 2 to 10 bar
 50µ filtered air with or without lubrication

Materials:

Body: anodized aluminum
 Spring: Stainless Steel
 Seals: NBR
 Spool Nickel plated aluminum
 Internal part: OT58 brass
 Protection: Shockproof plastic



Débits des pédales pneumatiques G1/4"



Puissance d'utilisation selon la norme IEC 337-1

utilization power, according to IEC 337-1

DC		
V	24	220
A	6	0.1

AC				
V	24	220	380	500
A	10	10	8	6